

26-17 Pineapple Sweater

© Pierrot Yarns (Gosyo Co., Ltd.). Translation by Linda Lanz.



Materials

- Pierrot Yarns Retro [30% hemp, 35% linen, 35% rayon; 39 yds/ 36m per 1.41 oz. / 40g skein]; – *discontinued*
 - color #3 moss green; 3 skeins [120g]
 - color #5 light purple; 4 skeins [150g]
 - color #6 peach; 3 skeins [120g]
- 6.00mm (US J) crochet hook or size necessary to achieve gauge

Gauge

- pattern stitch: 11 sts and 5.5 rows = 10cm/4" square

Finished measurements

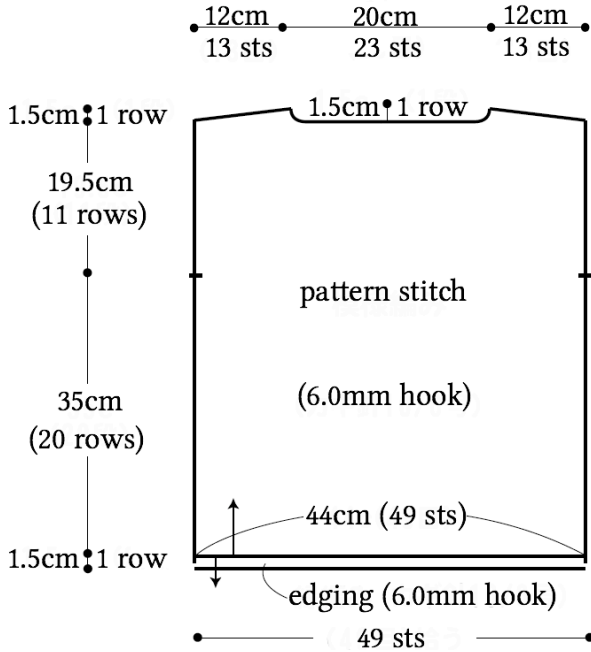
- bust 88cm/34.6"
- cross back width 47cm/18.5"
- length 57.5cm/22.6"

Crochet Tips

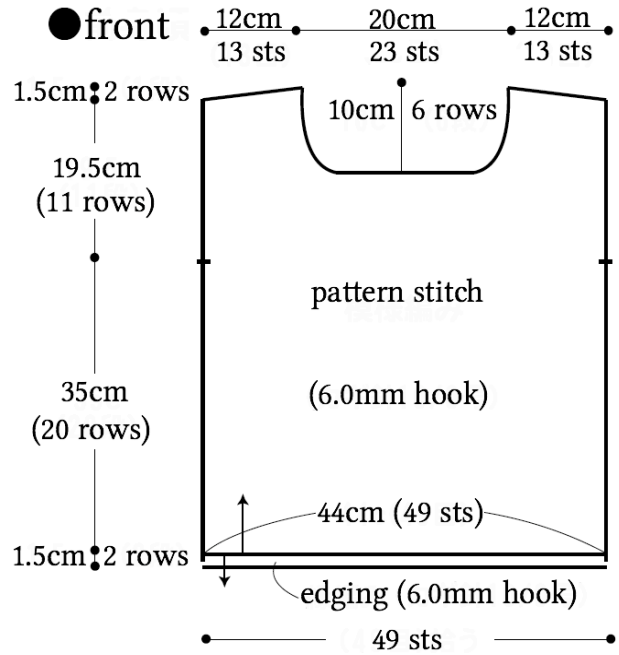
Body: Cast on, working into bottom loops of foundation row, and crochet according to schematics.

Finishing: Join shoulders and sides with slip stitch. Work edging at collar, armholes, and hem.

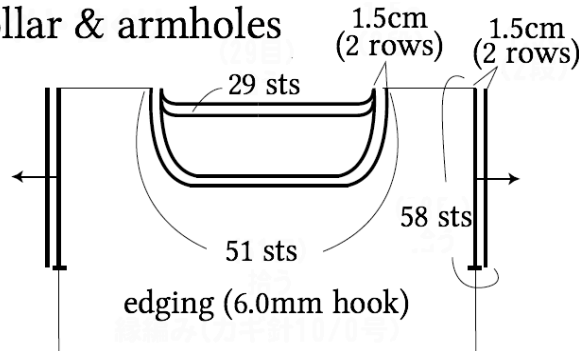
● back



● front

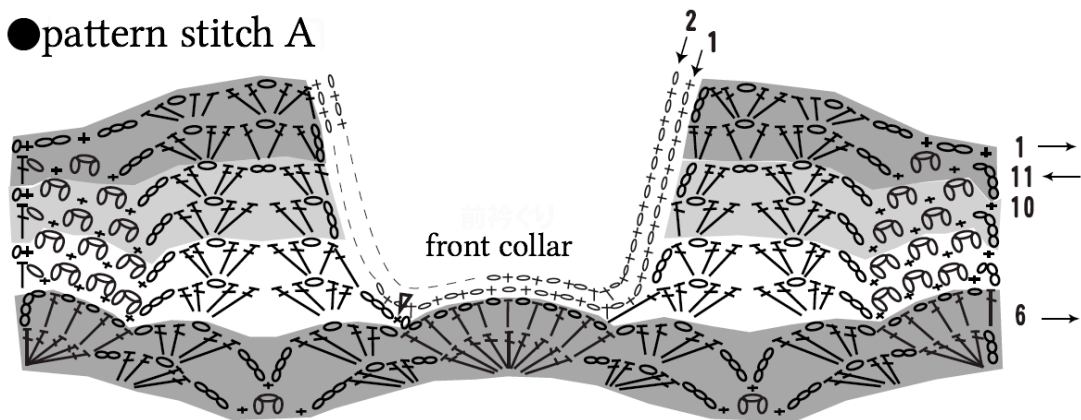


● collar & armholes

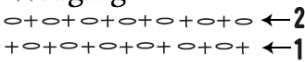


※ Use color #5 for all edging (hem, armholes, collar).

● pattern stitch A



★ edging



▷ = join yarn

◀ = cut yarn

