

20-21-5 Snowflake Sweater

© Pierrot Yarns (Gosyo Co., Ltd.). Translation by Linda Lanz.



Materials

- *original yarn (discontinued)*: Pierrot Yarns Cashmere Lamb's Wool [90% lamb's wool, 10% cashmere; 175 yds / 160m per 1.76 oz. / 50g skein];
 - color #2201 off-white; 5 skeins [250g]
 - color #2203 blue gray; 4 skeins [200g]
- *suggested substitute*: Pierrot Yarns Fine Merino [100% merino; 103 yds / 94m per 1.06 oz. / 30g skein];
 - color #201 off-white; 9 skeins [250g]
 - color #203 deep blue; 7 skeins [200g]
- 3.3mm (US 3) and 3.6mm (US 4 or 5) straight knitting needles or sizes necessary to achieve gauge
- 3.0mm (US 2½), 3.3mm (US 3), and 3.6mm (US 4 or 5) circular knitting needles or sizes necessary to achieve gauge

Gauge

Gauge is measured in a swatch 10cm/4" square.

- stockinette stitch: 27 sts and 36 rows
- pattern stitch (colorwork): 30 sts and 36 rows
- k2p2 ribbing: 36 sts and 37 rows
- k3p2 ribbing: 33 sts and 36 rows

Finished measurements

- bust 94cm/37.0"
- length 56.5cm/22.2"
- cross back width 38cm/15.0"
- sleeve length 53cm/20.9"

Knitting Tips

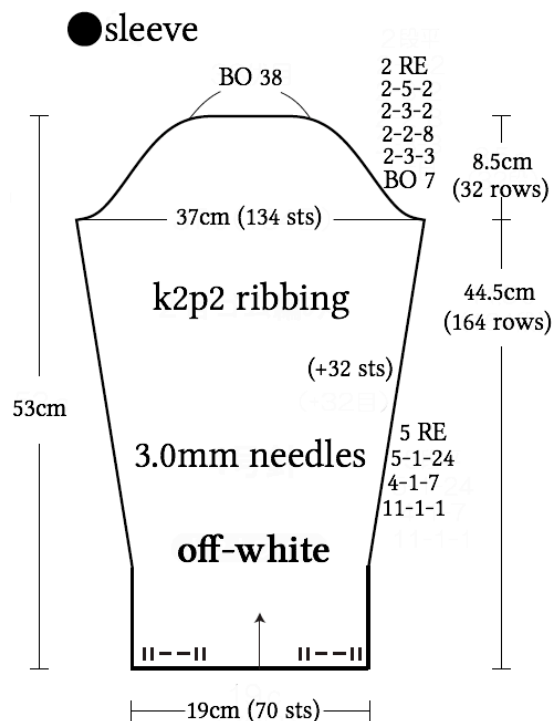
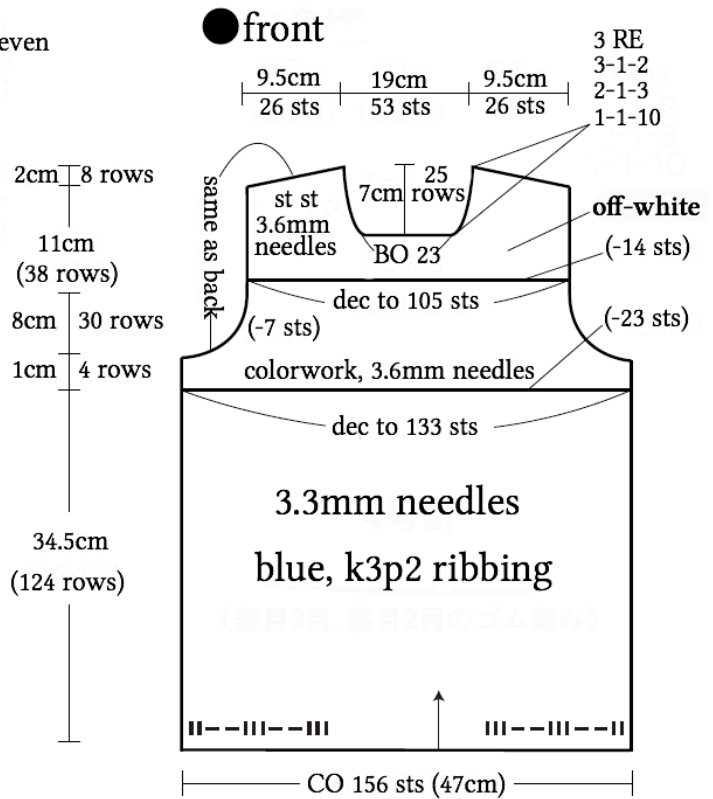
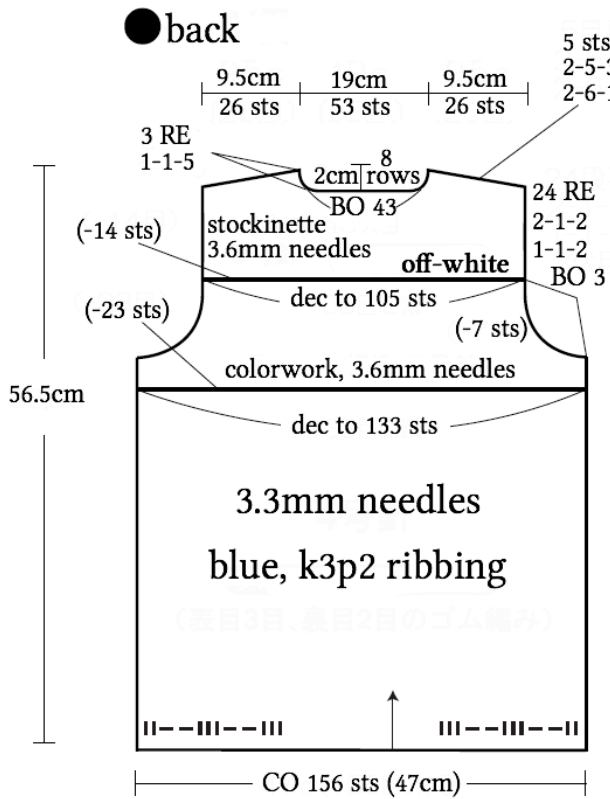
Body: Cast on using long-tail cast-on method and knit according to schematics. Work decreases during stockinette and colorwork portions. Change needle size as indicated.

Sleeves: Cast on using long-tail cast-on method and knit in k2p2 ribbing.

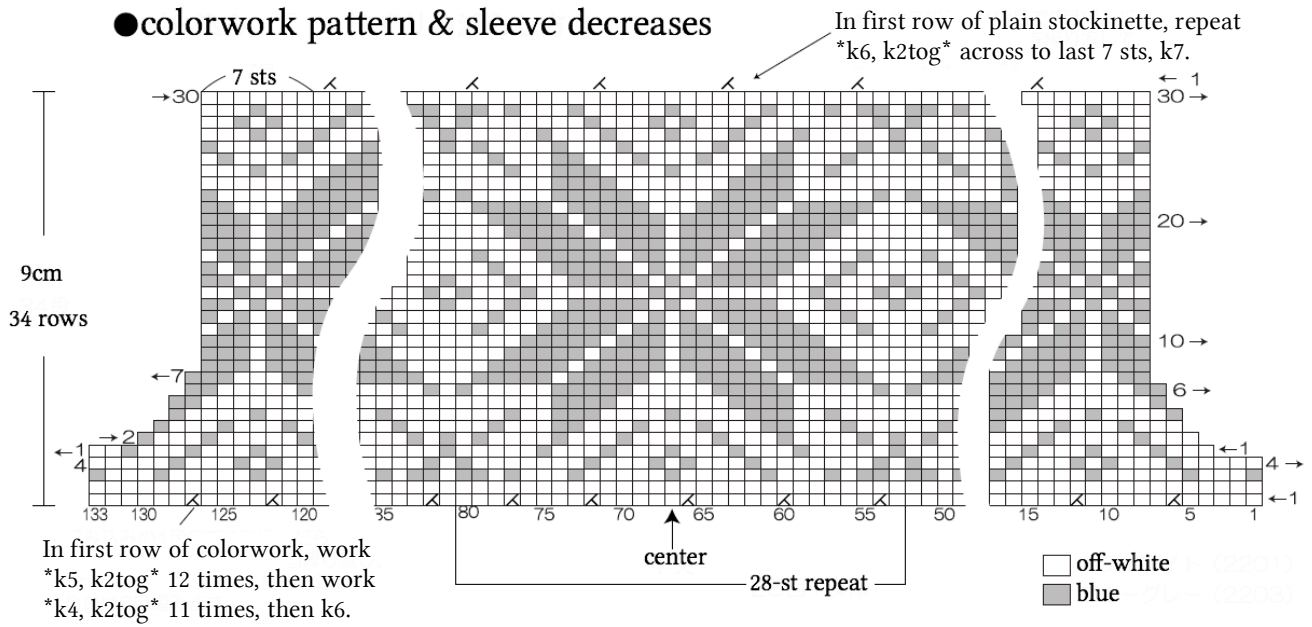
Collar: Join sleeves with slip stitch, then pick up stitches for collar and work k2p2 in the round.

Finishing: Join sides and sleeve undersides with mattress stitch. Join sleeves to body with slip stitch.

Abbreviations: BO = bind off; CO = cast on; RE = row(s) even; PU = pick up



● colorwork pattern & sleeve decreases



● collar (k2p2 ribbing)

3.0, 3.3, & 3.6mm circular needles

